

IP65

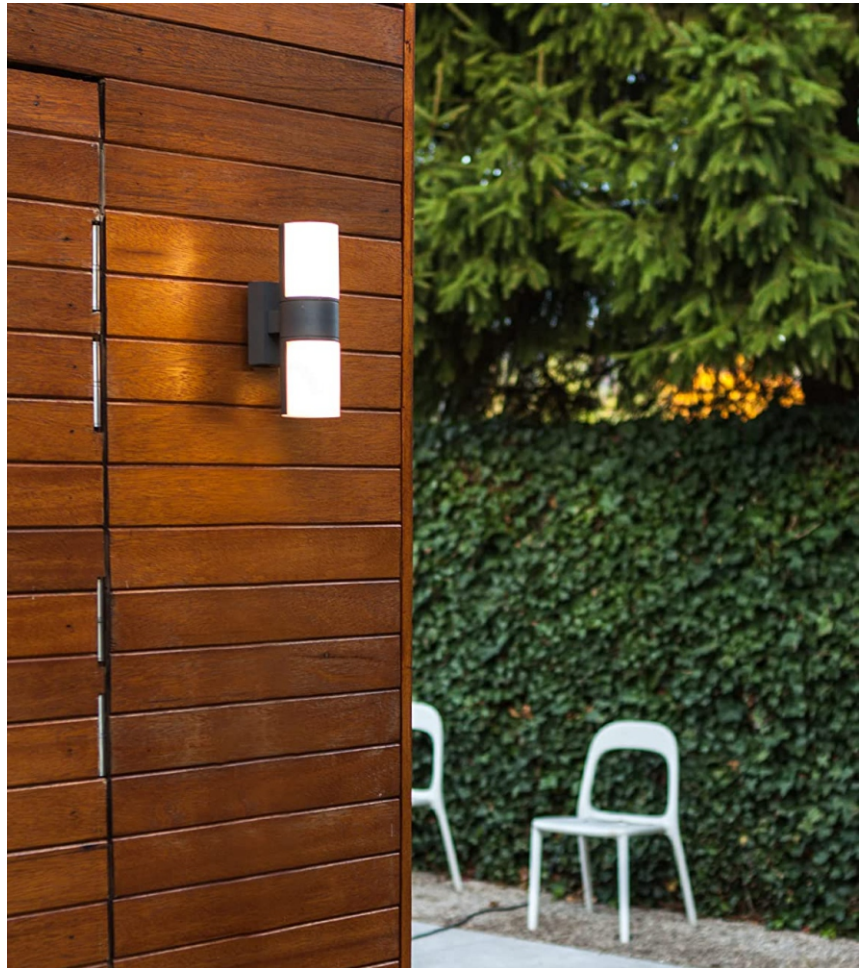
CE

LVD

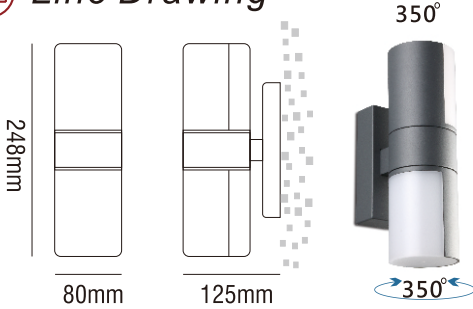
EMC

RoHS

LED Outdoor Wall Light



Line Drawing



Description

- Aluminium die casting lamp body
- Diffuser: OPAL PC
- Light source: LED SMD 2835
- Finish: Powder coated with pretreatment for outdoor use

Specification

Code	Power	3CCT	Lumen	PCT/CTN	CTN Size	40HQ/PCS
USA-1201	2x8W	4000K/5000K/6000K	900lm	10	44x27.5x28cm	19700

Feature



CCT Switch



CRI>80



IP 65



100V-277V



Low Flicker



120°