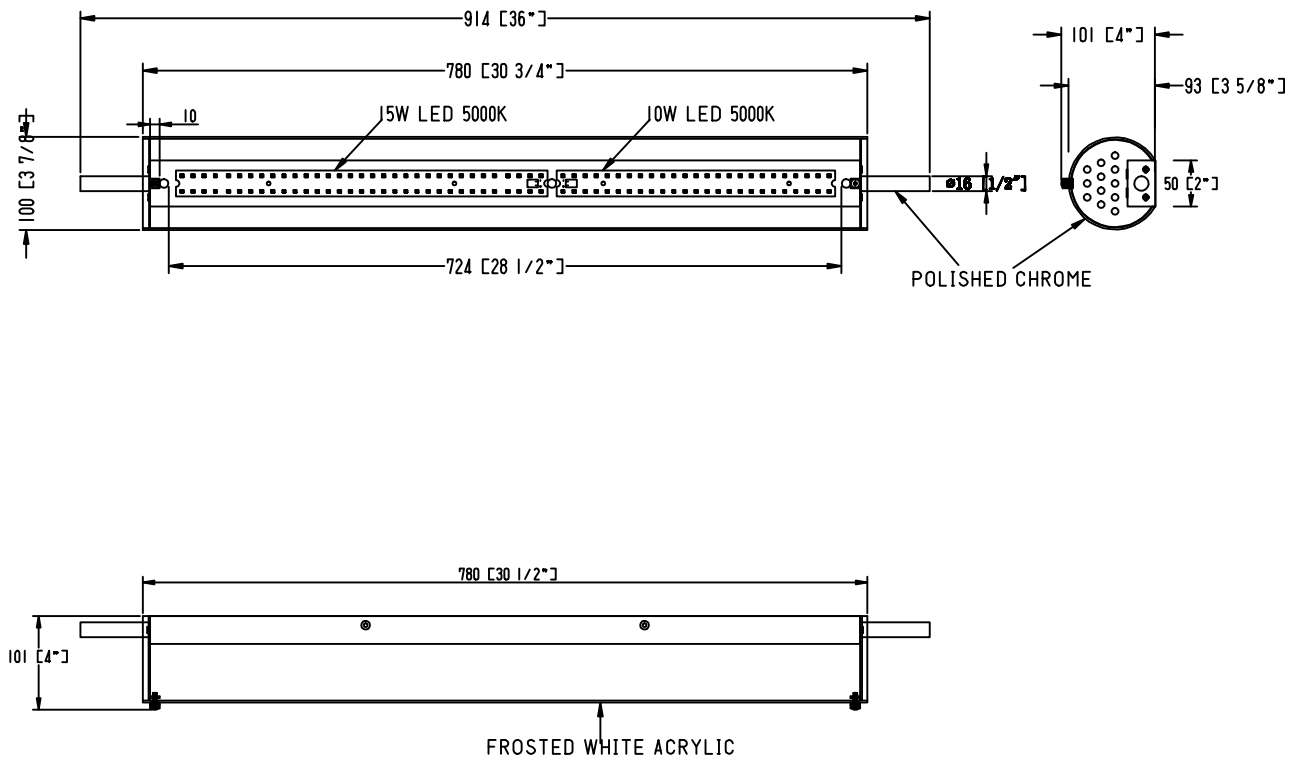


ITEM NO.:

Description: Double Wall Sconce



LINE DRAWING



STANDARD FEATURES:

- Double Wall Sconce
- UL APPROVED FOR DRY LOCATION
- MATERIAL: STEEL+Acrylic
- USE 120V 60HZ AC
- LAMPWATT: LED 25W 5000K

FIXTURE DATA

MODEL NO.	FINISH	SHADE	SIZE			TYPE OF LAMPS
			WIDTH	HEIGHT	EXTENTION	
US-201-3FT	POLISHED CHROME	Frosted White Acrylic	36"	3.875"	4"	LED 25W 5000K

LIGHT BULB DATA

BULB TYPE	BASE TYPE(SOCKET)	WATTAGE RATED	RATED LIFE (Hours)	Approx. LIGHT (Lumens)	Approx. Color (Temp. K)	Luminous efficacy (LM/W)	CRI
LED		25W			5000k		90

