

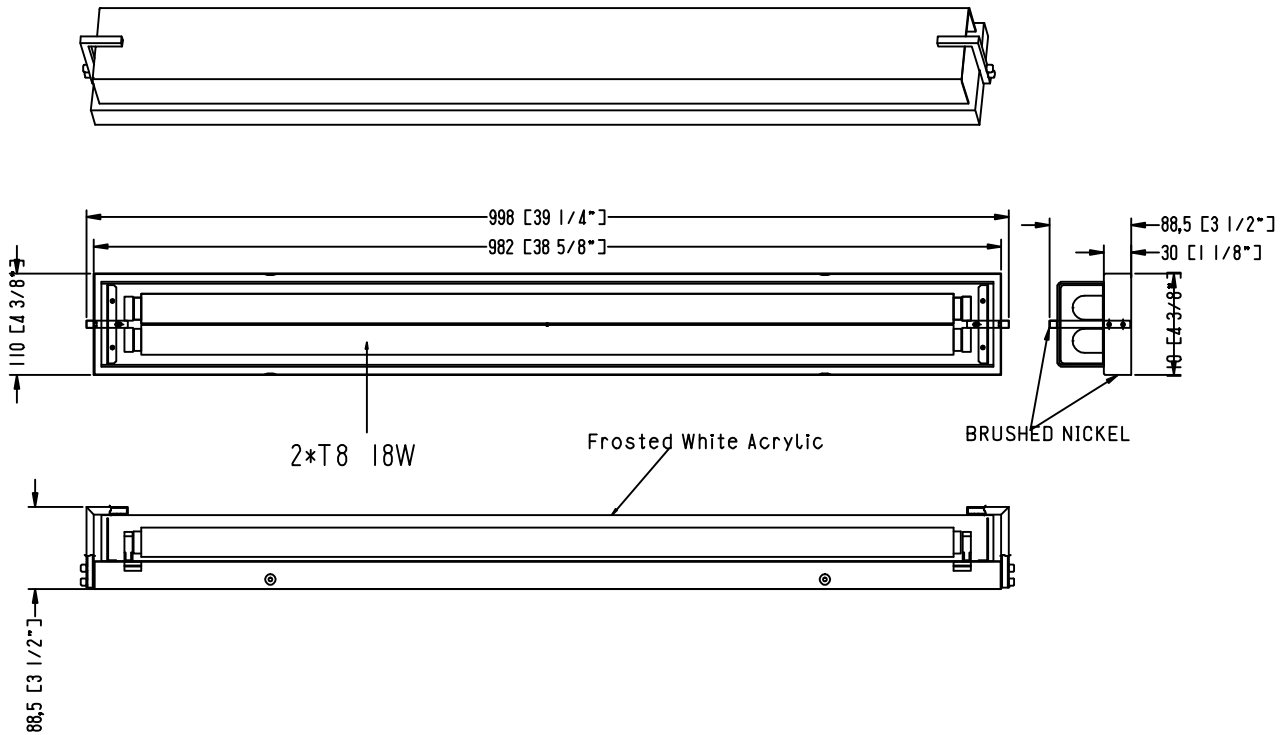
ITEM NO.:

Description: WALL LAMP



**USA HOSPITALITY
LIGHTING**

LINE DRAWING



STANDARD FEATURES:

- WALL LAMP
- UL APPROVED FOR DRY LOCATION
- MATERIAL: STEEL+Acrylic
- USE 120V 60HZ AC
- LAMP/WATT:2*T8 18W

FIXTURE DATA

MODEL NO.	FINISH	SHADE	SIZE			TYPE OF LAMPS
			WIDTH	HEIGHT	EXTENTION	
US-2034-3FT	Brushed Nickel	Frosted White Acrylic	39.25"	4.325"	3.5"	2*T8 18W

LIGHT BULB DATA

BULB TYPE	BASE TYPE(SOCKET)	WATTAGE RATED	RATED LIFE (Hours)	Approx. LIGHT (Lumens)	Approx. Color (Temp. K)	Luminous efficacy (LM/W)	CRI
T8		18W					

