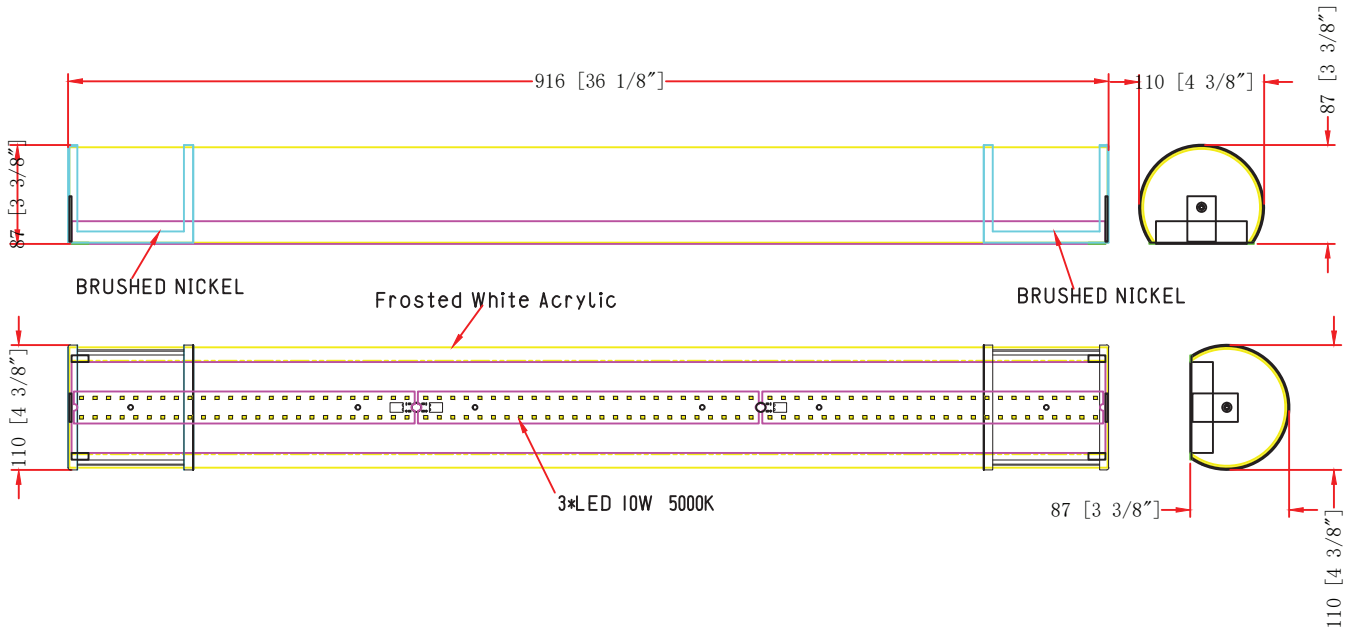


ITEM NO.:

Description: Double Wall Sconce

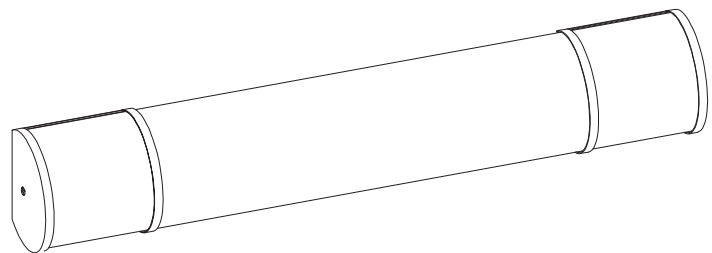


LINE DRAWING



STANDARD FEATURES:

- Double Wall Sconce
- UL APPROVED FOR DRY LOCATION
- MATERIAL: STEEL+Acrylic
- USE 120V 60HZ AC
- LAMP/WATT:3*LED 10W 5000K



FIXTURE DATA

MODEL NO.	FINISH	SHADE	SIZE			TYPE OF LAMPS
			WIDTH	HEIGHT	EXTENSION	
US-2050-3FT	Brushed Nickel	Frosted White Acrylic	36.125"	4.375"	3.375"	3*LED 10W 5000K

LIGHT BULB DATA

BULB TYPE	BASE TYPE(SOCKET)	WATTAGE RATED	RATED LIFE (Hours)	Approx. LIGHT (Lumens)	Approx. Color (Temp. K)	Luminous efficacy (LM/W)	CRI
LED		30W			5000k		90

