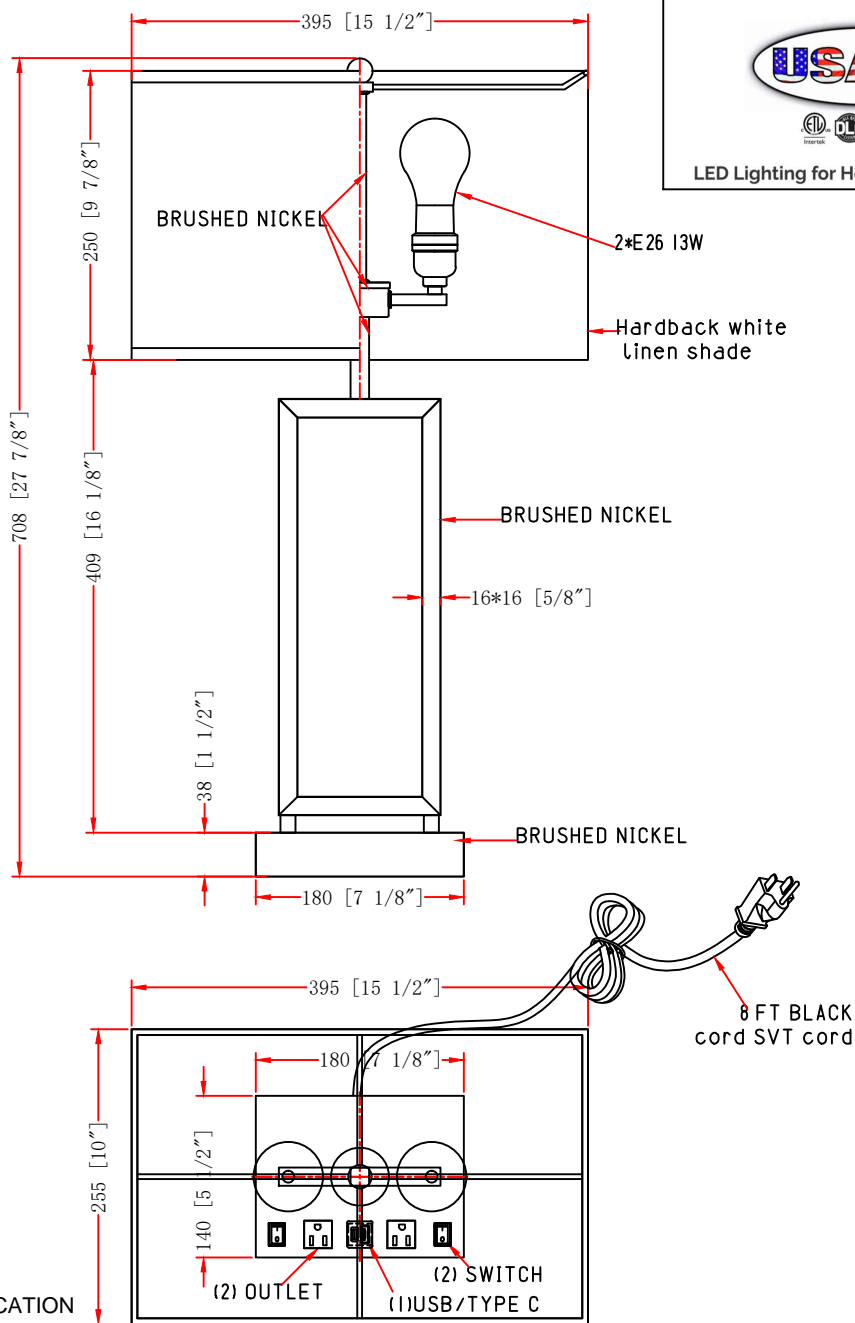


ITEM NO.:

Description: TABLE LAMP

LINE DRAWING



STANDARD FEATURES:

- TABLE LAMP
- UL APPROVED FOR DRY LOCATION
- MATERIAL: STEEL+CLOTH
- USE 120V 60HZ AC
- LAMP/WATT: 2\*E26 13W

FIXTURE DATA

| MODEL NO.       | FINISH         | SHADE                      | SIZE  |         |           | TYPE OF LAMPS |
|-----------------|----------------|----------------------------|-------|---------|-----------|---------------|
|                 |                |                            | WIDTH | HEIGHT  | EXTENTION |               |
| US-255DS-TYPE-C | Brushed Nickel | Hardback white linen shade | 15.5" | 27.785" | 10"       | 2*E26 13W     |

LIGHT BULB DATA

| BULB TYPE | BASE TYPE(SOCKET) | WATTAGE RATED | RATED LIFE (Hours) | Approx. LIGHT (Lumens) | Approx. Color (Temp. K) | Luminous efficacy (LM/W) | CRI |
|-----------|-------------------|---------------|--------------------|------------------------|-------------------------|--------------------------|-----|
| E26       |                   | 13W           |                    |                        |                         |                          |     |

