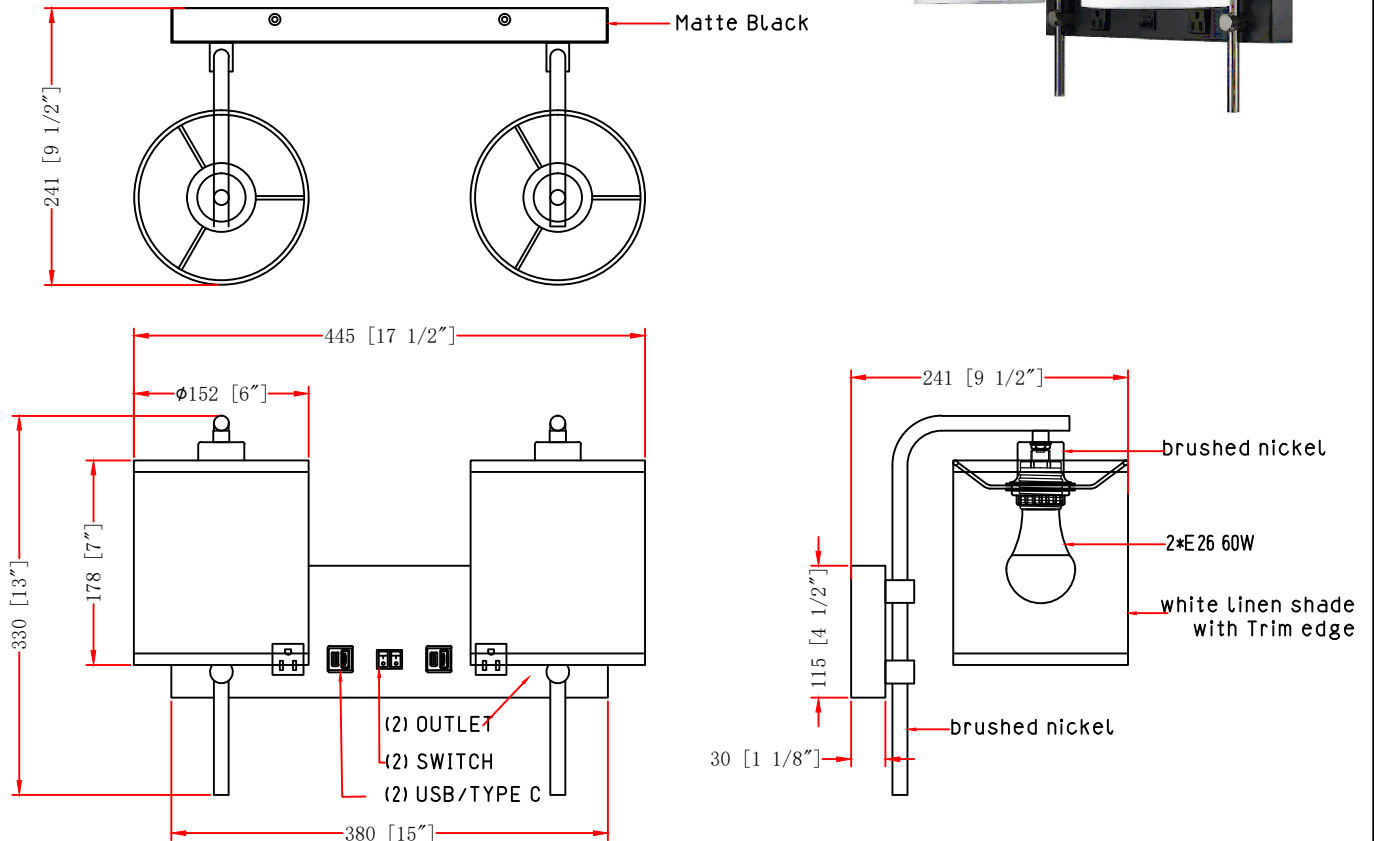


ITEM NO.:

Description: WALL LAMP



LINE DRAWING



STANDARD FEATURES:

- WALL LAMP
- UL APPROVED FOR DRY LOCATION
- MATERIAL: STEEL+CLOTH
- USE 120V 60HZ AC
- LAMP/WATT: 2*E26 60W

FIXTURE DATA

MODEL NO.	FINISH	SHADE	SIZE			TYPE OF LAMPS
			WIDTH	HEIGHT	EXTENTION	
US-501-WS-TYPE-C	Brushed Nickel +Matte Black	white linen shade with Trim edg	17.5"	13"	9.5"	2*E26 60W

LIGHT BULB DATA

BULB TYPE	BASE TYPE(SOCKET)	WATTAGE RATED	RATED LIFE (Hours)	Approx. LIGHT (Lumens)	Approx. Color (Temp. K)	Luminous efficacy (LM/W)	CRI
E26		60W					

