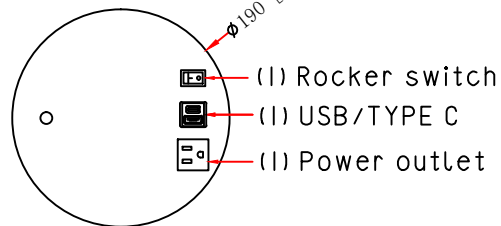
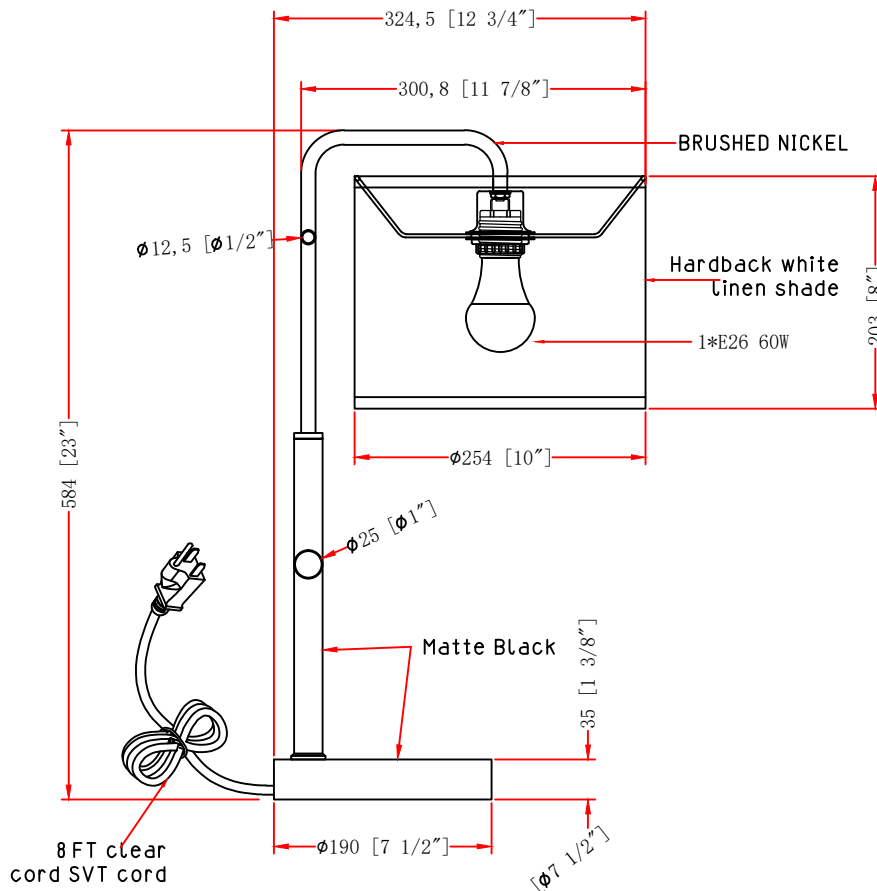


ITEM NO.:

Description: TABLE LAMP

LINE DRAWING



STANDARD FEATURES:

- TABLE LAMP
- UL APPROVED FOR DRY LOCATION
- MATERIAL: STEEL+CLOTH
- USE 120V 60HZ AC
- LAMP/WATT: 1*E26 60W

FIXTURE DATA

MODEL NO.	FINISH	SHADE	SIZE			TYPE OF LAMPS
			WIDTH	HEIGHT	EXTENSION	
US-502-TS-TYPE-C	Brushed Nickel +Matte Black	Hardback white linen shade	10"	23"	12.75"	1*E26 60W

LIGHT BULB DATA

BULB TYPE	BASE TYPE(SOCKET)	WATTAGE RATED	RATED LIFE (Hours)	Approx. LIGHT (Lumens)	Approx. Color (Temp. K)	Luminous efficacy (LM/W)	CRI
E26		60 W					

