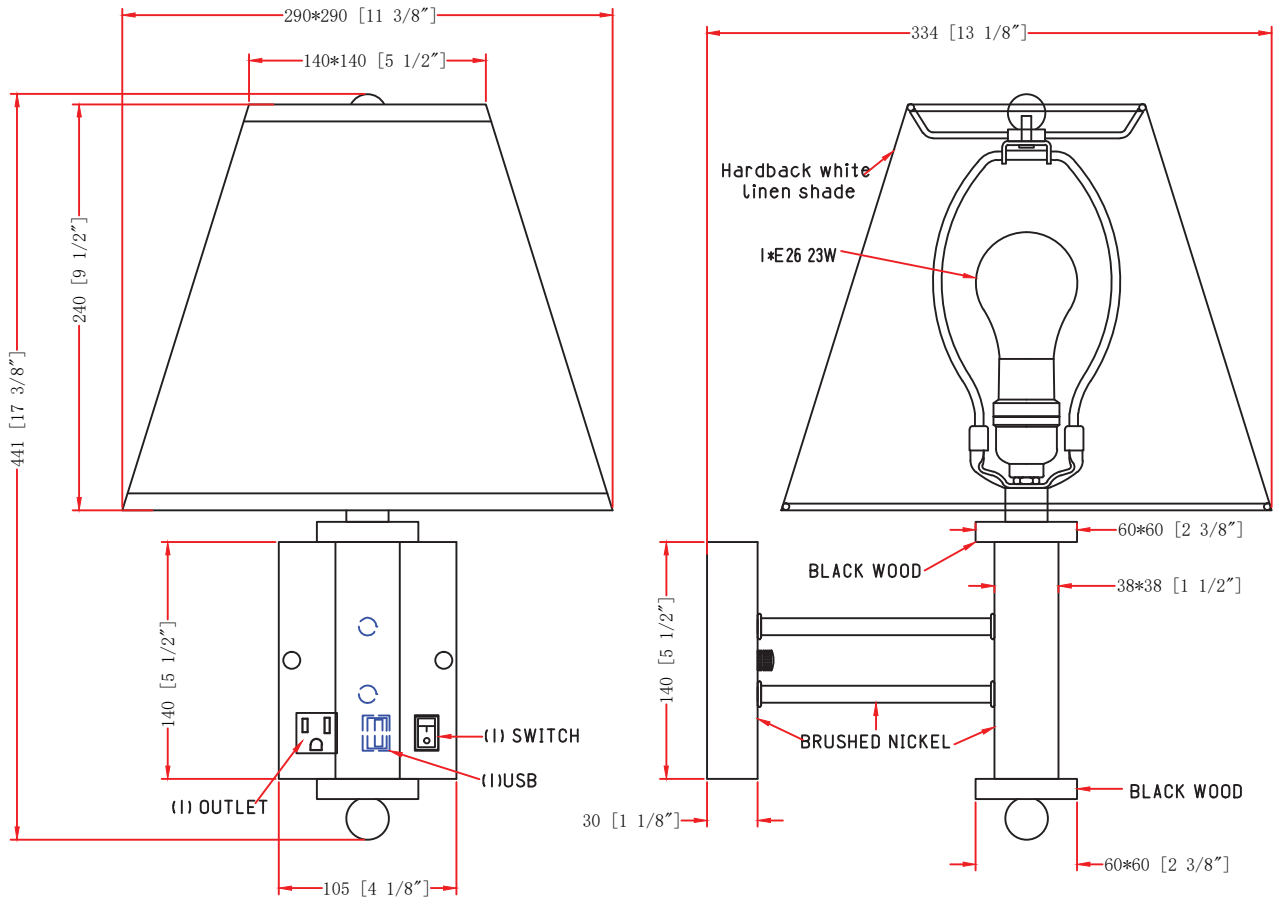


ITEM NO.:

Description: Single Wall Sconce



LINE DRAWING



STANDARD FEATURES:

- Single Wall Sconce
- UL APPROVED FOR DRY LOCATION
- MATERIAL: STEEL+CLOTH+WOOD
- USE 120V 60HZ AC
- LAMP/WATT: 1*E26 23W

FIXTURE DATA

MODEL NO.	FINISH	SHADE	SIZE			TYPE OF LAMPS
			WIDTH	HEIGHT	EXTENTION	
US-550WS-USB	Brushed Nickel	Hardback white linen shade	11.375"	17.375"	13.125"	1*E26 23W

LIGHT BULB DATA

BULB TYPE	BASE TYPE(SOCKET)	WATTAGE RATED	RATED LIFE (Hours)	Approx. LIGHT (Lumens)	Approx. Color (Temp. K)	Luminous efficacy (LM/W)	CRI
E26		23W					

