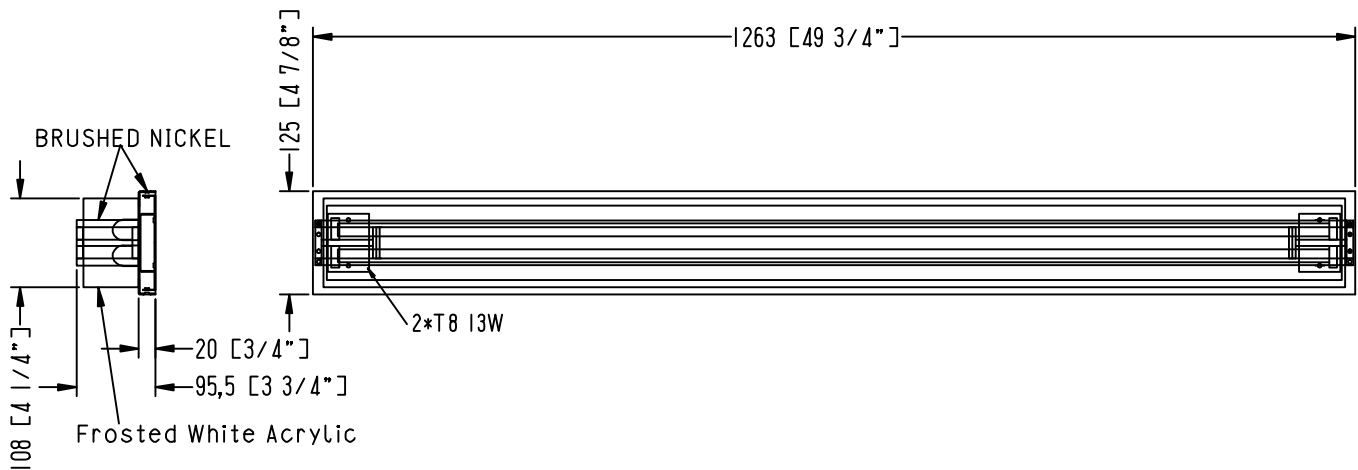


ITEM NO.:

Description: Double Wall Sconce



LINE DRAWING



STANDARD FEATURES:

- Double Wall Sconce
- UL APPROVED FOR DRY LOCATION
- MATERIAL: STEEL+Acrylic
- USE 120V 60HZ AC
- LAMP/WATT:2*T8 18W



FIXTURE DATA

MODEL NO.	FINISH	SHADE	SIZE			TYPE OF LAMPS
			WIDTH	HEIGHT	EXTENTION	
US-8421-4FT	Brushed Nickel	Frosted White Acrylic	49.75"	4.875"	3.75"	2*T8 18W

LIGHT BULB DATA

BULB TYPE	BASE TYPE(SOCKET)	WATTAGE RATED	RATED LIFE (Hours)	Approx. LIGHT (Lumens)	Approx. Color (Temp. K)	Luminous efficacy (LM/W)	CRI
T8		18W					

