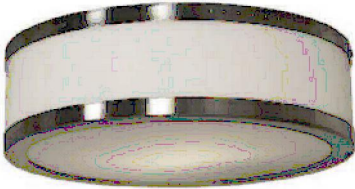


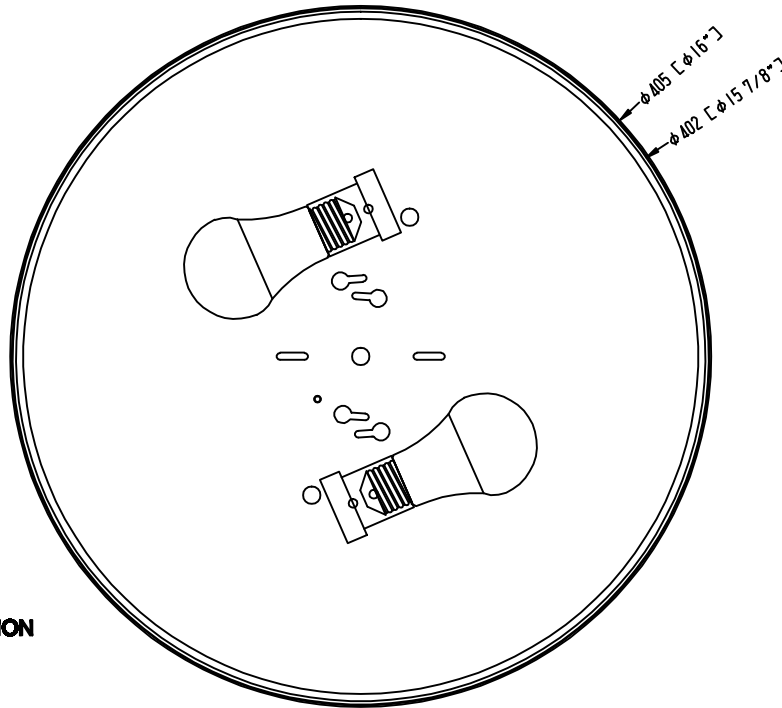
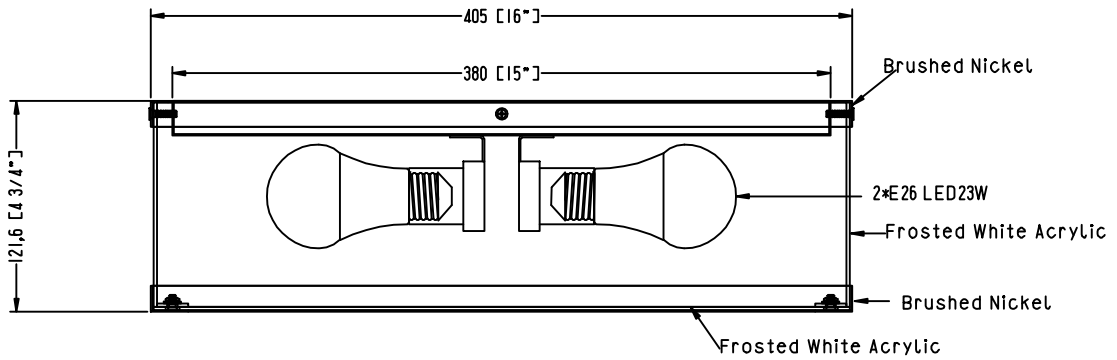
ITEM NO.:

Description: Corridor Sconce

LINE DRAWING



LED Lighting for Hospitality & C-Stores



STANDARD FEATURES:

- Corridor Sconce
- UL APPROVED FOR DRY LOCATION
- MATERIAL: STEEL +Acrylic
- USE 120V 60HZ AC
- LAMP/WATT: 2*E26 LED23W

FIXTURE DATA

MODEL NO.	FINISH	SHADE	SIZE			TYPE OF LAMPS
			WIDTH	HEIGHT	EXTENSION	
US-CL3	Brushed Nickel	Frosted White Acrylic	16"	4.75"	16"	2*E26 LED23W

LIGHT BULB DATA

BULB TYPE	BASE TYPE(SOCKET)	WATTAGE RATED	RATED LIFE (Hours)	Approx. LIGHT (Lumens)	Approx. Color (Temp. K)	Luminous efficacy (LM/W)	CRI
E26		23W					

