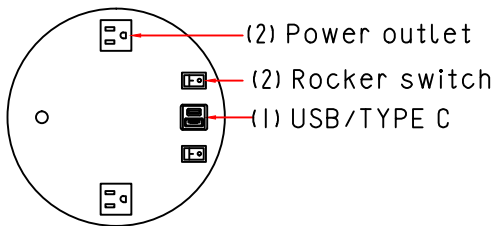
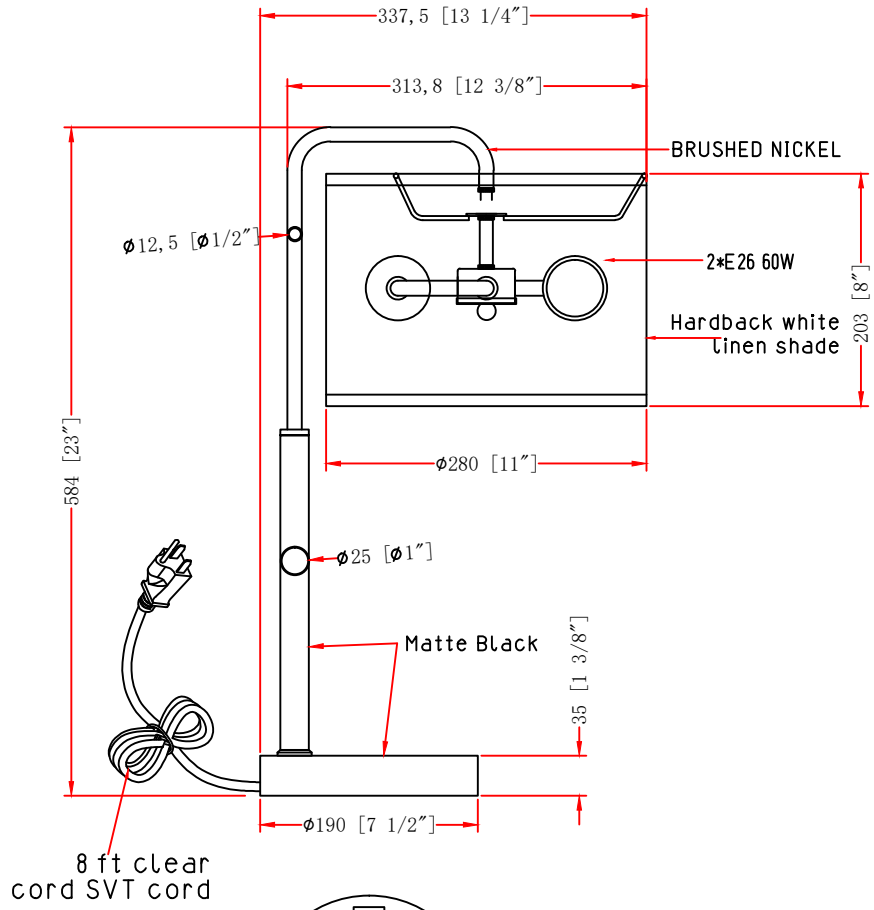


ITEM NO.:  
Description: TABLE LAMP



LINE DRAWING



- STANDARD FEATURES:**
- TABLE LAMP
  - UL APPROVED FOR DRY LOCATION
  - MATERIAL: STEEL+CLOTH
  - USE 120V 60HZ AC
  - LAMP/WATT: 2\*E26 60W

**FIXTURE DATA**

MODEL NO.	FINISH	SHADE	SIZE			TYPE OF LAMPS
			WIDTH	HEIGHT	EXTENTION	
US-503-TT-TYPE-C	Brushed Nickel +Matte Black	Hardback white linen shade	11"	23"	13.25"	2*E26 60W

**LIGHT BULB DATA**

BULB TYPE	BASE TYPE(SOCKET)	WATTAGE RATED	RATED LIFE (Hours)	Approx. LIGHT (Lumens)	Approx. Color (Temp. K)	Luminous efficacy (LM/W)	CRI
E26		60 W					

