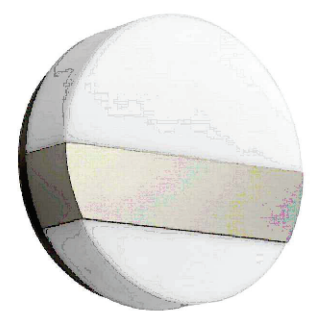
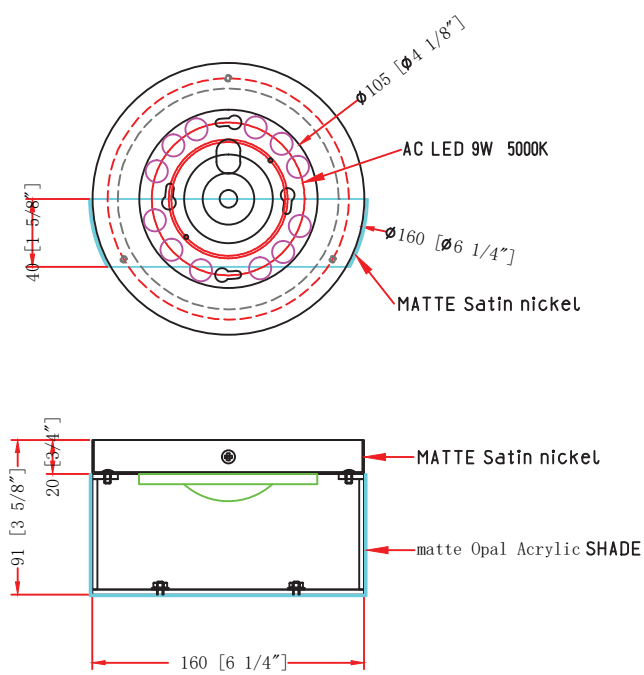


ITEM NO.:

Description: LED WALL SCONCE



LINE DRAWING



STANDARD FEATURES:

- LED WALL SCONCE
- UL APPROVED FOR DRY LOCATION
- MATERIAL: STEEL+Acrylic
- USE 120V 60HZ AC
- LAMP/WATT: AC LED 9W 5000K

FIXTURE DATA

MODEL NO.	FINISH	SHADE	SIZE			TYPE OF LAMPS
			WIDTH	HEIGHT	EXTENTION	
US-7123	MATTE Satin nickel	matte Opal Acrylic SHADE	6.25"	6.25"	3.625"	AC LED 9W 5000K

LIGHT BULB DATA

BULB TYPE	BASE TYPE(SOCKET)	WATTAGE RATED	RATED LIFE (Hours)	Approx. LIGHT (Lumens)	Approx. Color (Temp. K)	Luminous efficacy (LM/W)	CRI
LED		9W			5000k		90

