

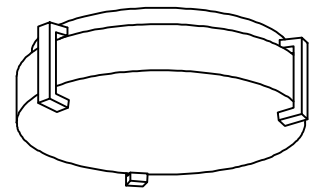
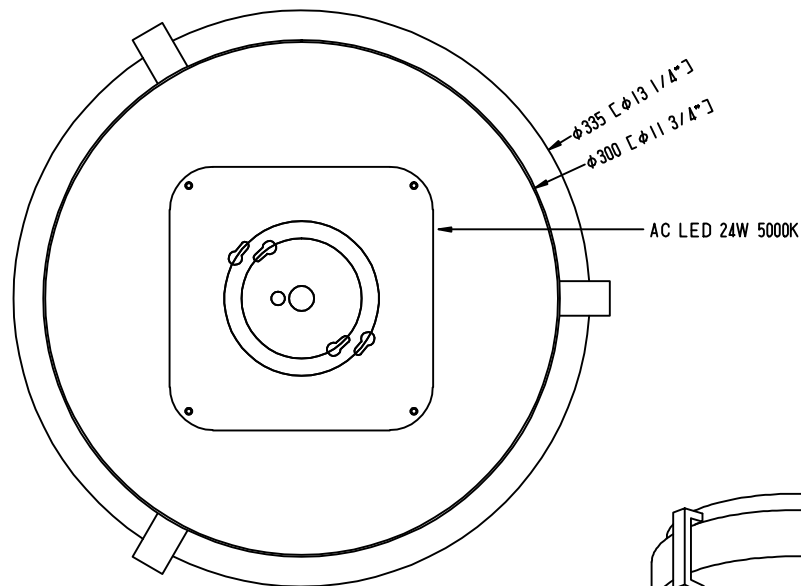
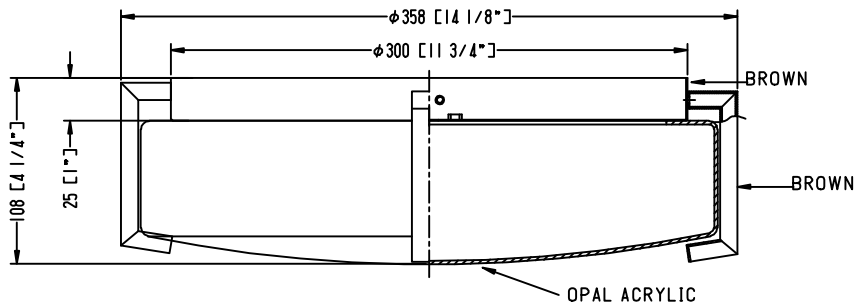
**ITEM NO.:**

**Description:** Corridor Sconce



**USA HOSPITALITY  
LIGHTING**

**LINE DRAWING**



**STANDARD FEATURES:**

- Corridor Sconce
- UL APPROVED FOR DRY LOCATION
- MATERIAL: STEEL+Acrylic
- USE 120V 60HZ AC
- LAMP/WATT: AC LED 24W 5000K

**FIXTURE DATA**

MODEL NO.	FINISH	SHADE	SIZE			TYPE OF LAMPS
			WIDTH	HEIGHT	EXTENTION	
US-CL6-14DB	BROWN	OPAL ACRYLIC	14.125"	4.25"	14.125"	AC LED 24W 5000K

**LIGHT BULB DATA**

BULB TYPE	BASE TYPE(SOCKET)	WATTAGE RATED	RATED LIFE (Hours)	Approx. LIGHT (Lumens)	Approx. Color (Temp. K)	Luminous efficacy (LM/W)	CRI
LED		24W			5000K		90

