

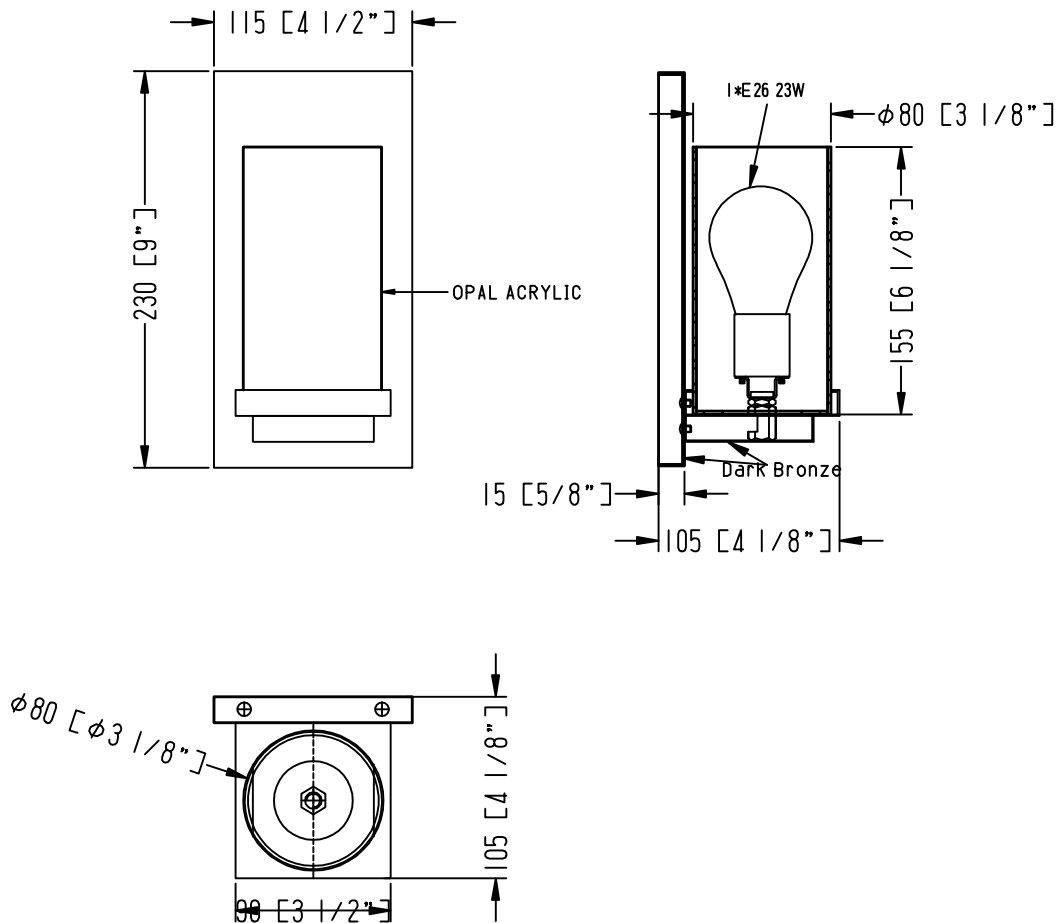
**ITEM NO.:**

**Description:** WALL LAMP



**USA HOSPITALITY  
LIGHTING**

**LINE DRAWING**



**STANDARD FEATURES:**

- WALL LAMP
- UL APPROVED FOR DRY LOCATION
- MATERIAL: STEEL+ACRYLIC
- USE 120V 60HZ AC
- LAMP/WATT: 1\*E26 23W

**FIXTURE DATA**

MODEL NO.	FINISH	SHADE	SIZE			TYPE OF LAMPS
			WIDTH	HEIGHT	EXTENTION	
US-ES-2	Dark Bronze	OPAL ACRYLIC	5.125"	12.875"	5.5"	1*E26 23W

**LIGHT BULB DATA**

BULB TYPE	BASE TYPE(SOCKET)	WATTAGE RATED	RATED LIFE (Hours)	Approx. LIGHT (Lumens)	Approx. Color (Temp. K)	Luminous efficacy (LM/W)	CRI
E26		23W					

